

THE PROPERTY OF THIS DRAWING IS ESTABLISHED BY LAW
IT IS FORBIDDEN TO REPRODUCE IT OR SHOW IT TO THIRD PARTY
WITHOUT A WRITTEN AGREEMENT.

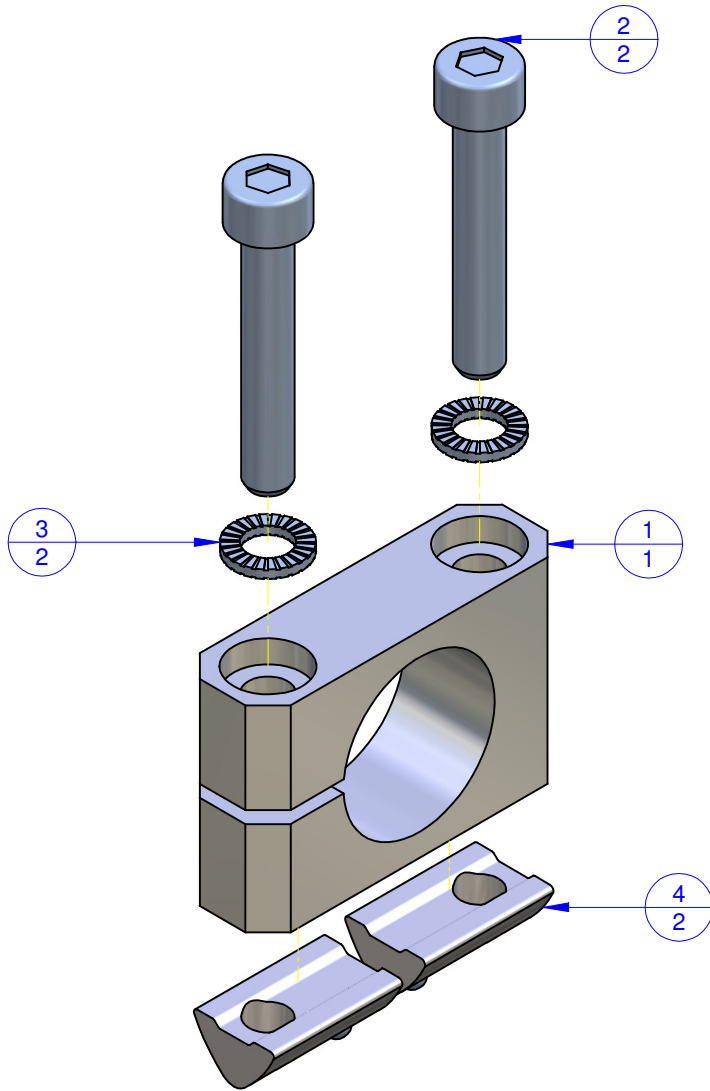
MODIFICATIONS: VARIED DIMENSIONS AS OF DATE:

7	10
8	11
9	12

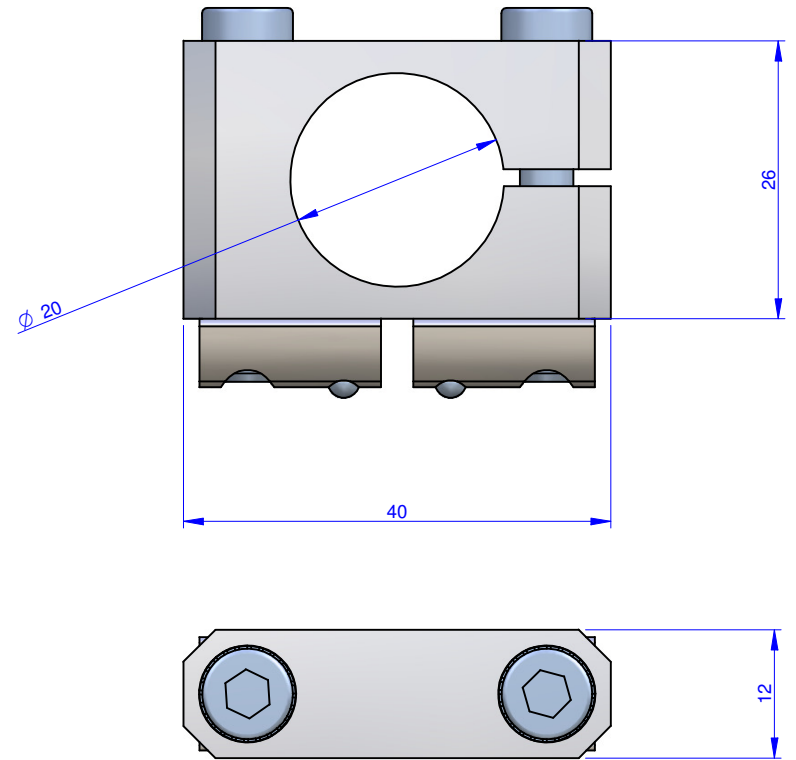
MODIFICATIONS: VARIED DIMENSIONS AS OF DATE:

1	4
2	5
3	6

Format **A3**
UNI 936-76



Object Number	Name	QTY
1	KVB.X20	1
2	V.TCE M5x30	2
3	R.5.SCH	2
4	CA.02.05.005	2



FP Services		DESIGNED FROM FPSERVICES	
GENERAL TOLERANCE: UNI - ISO 2768 CLASSE f		DATE 04/2014	WEIGHT 0,042 kg
DESCRIPTION		CODE CA.03.12.004.6	

